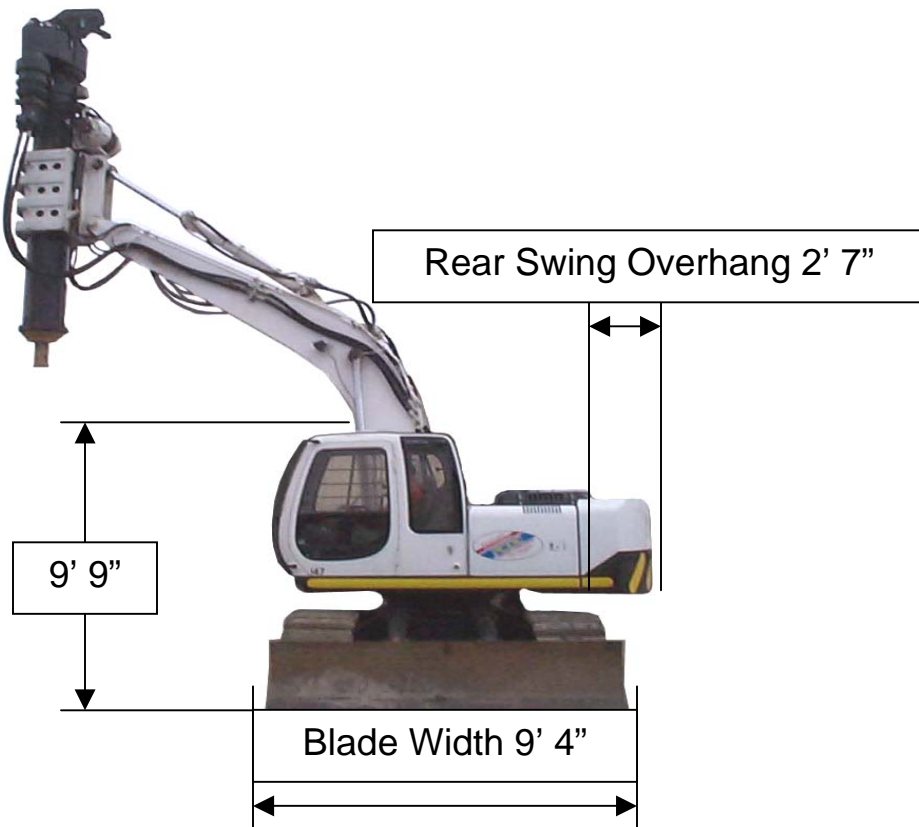
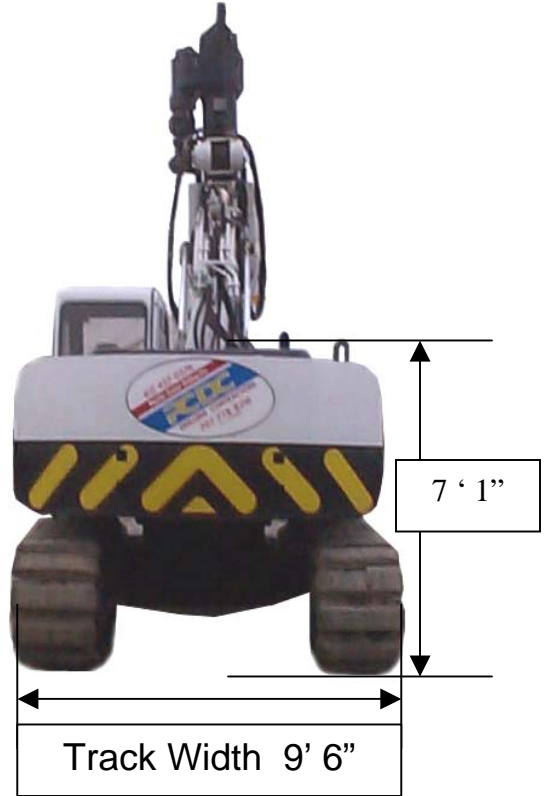
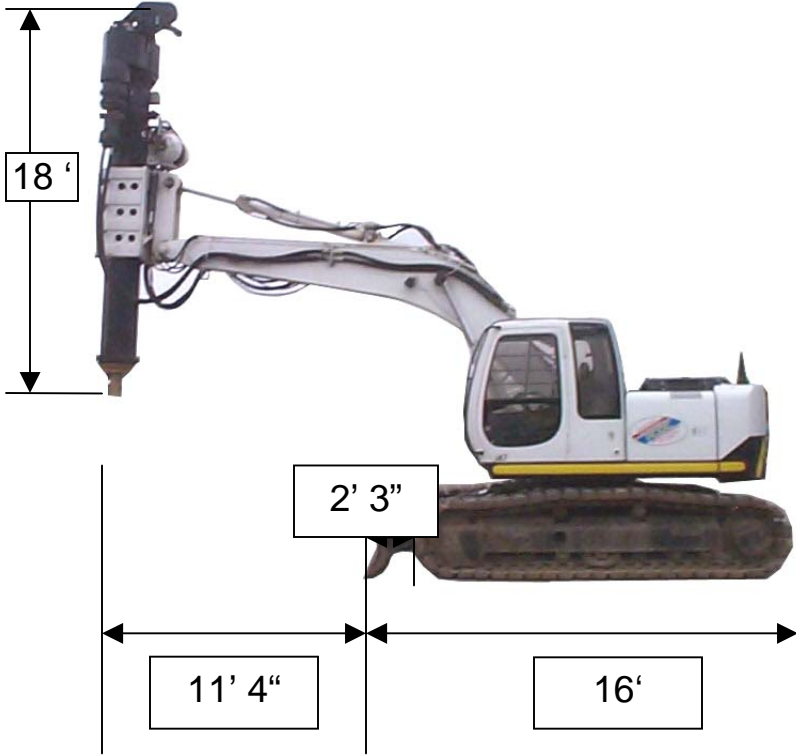




#147 PCDC Revloc Track Mount

Dimensions and Specifications





#147 PCDC Revloc Track Mount
Dimensions and Specifications

#147 PCDC Revloc Track Mount	
Total Drill Depth	60'
Reach Ability	15'
Gross Vehicle Weight	83,000 lbs
Drill Torque	80,000 ft/lbs