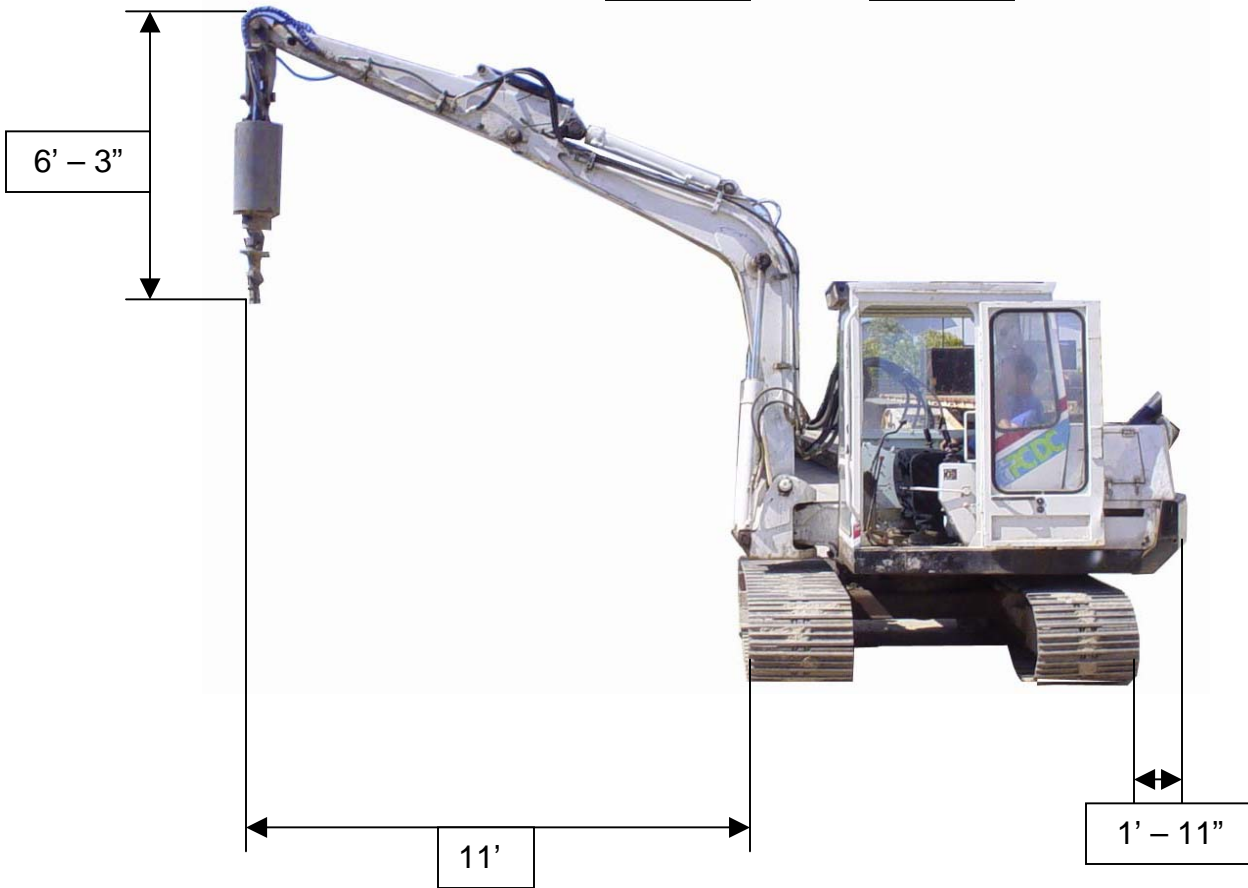
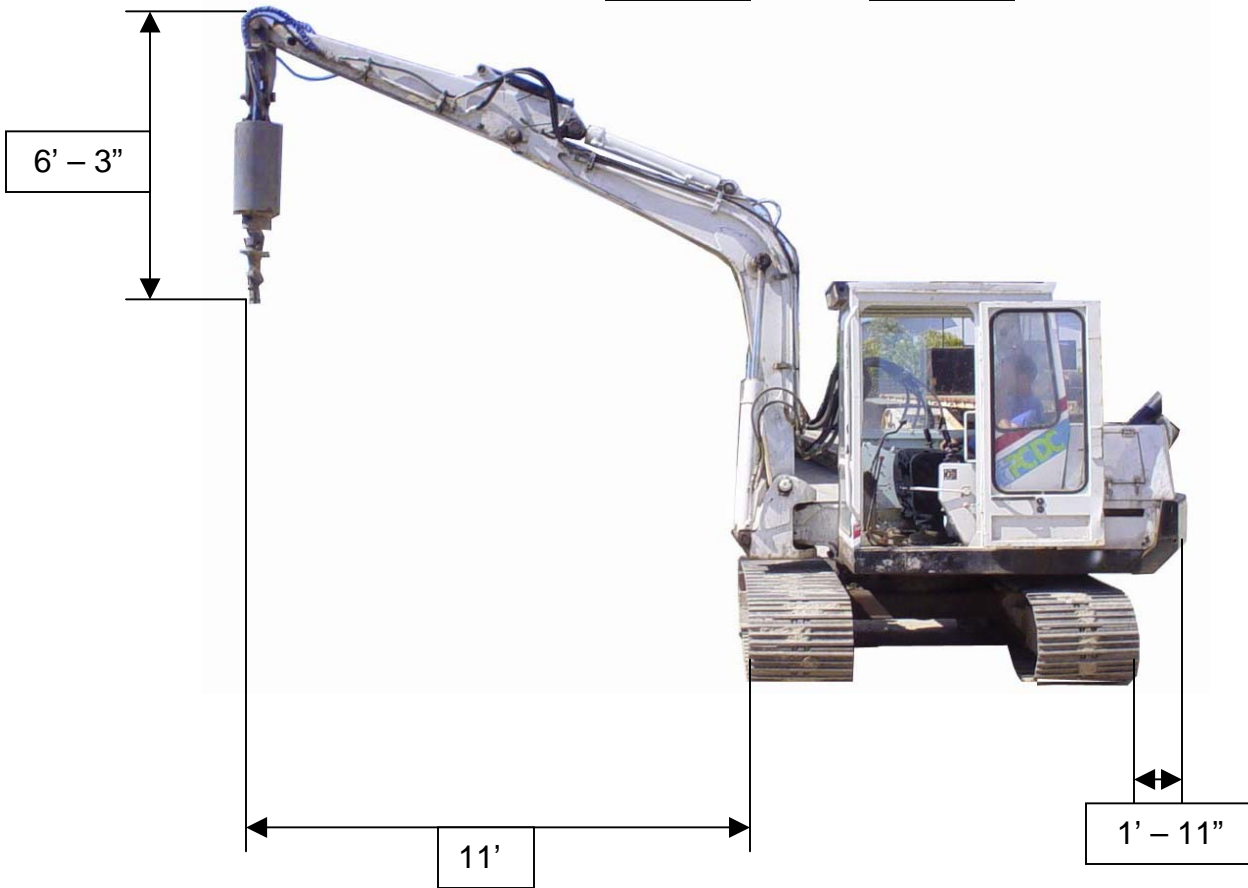
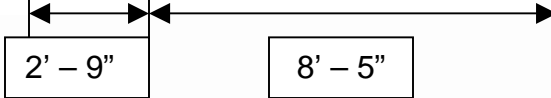
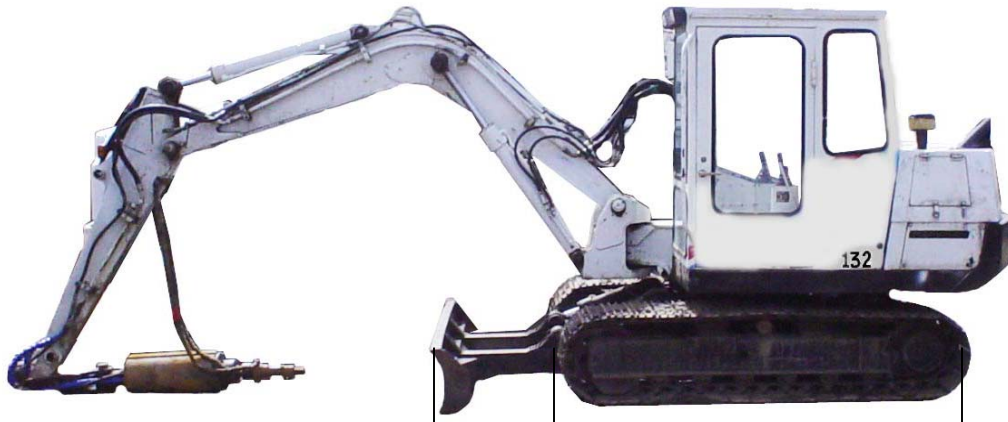


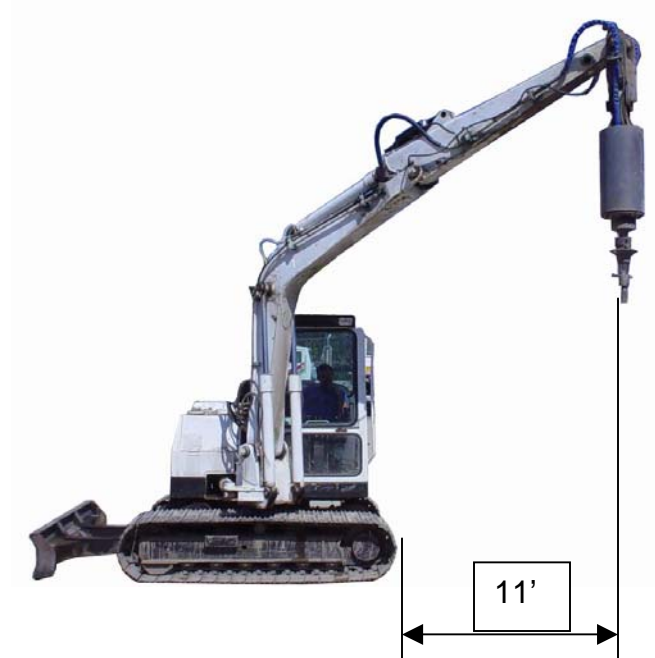
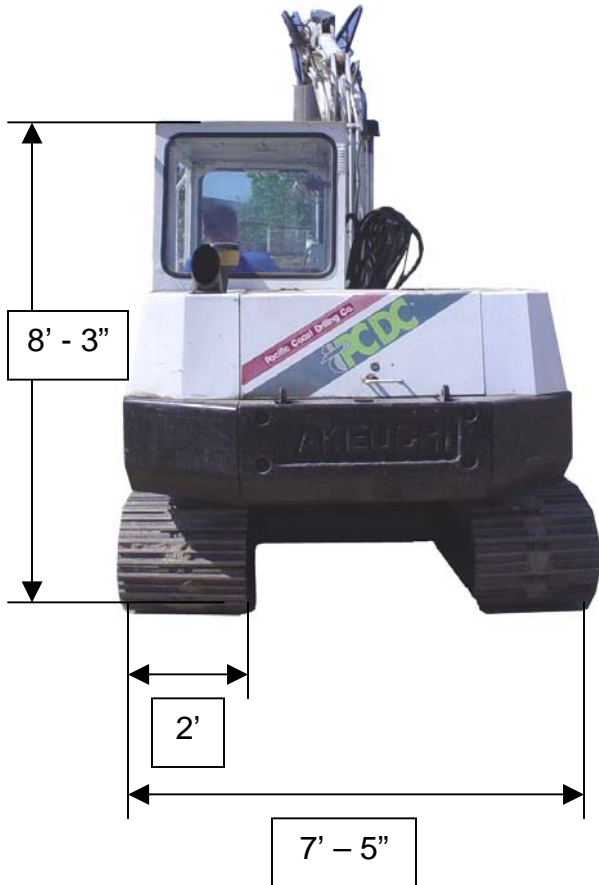


# #132 Takeuchi TB68-S Track Mount Dimensions and Specifications





## #132 Takeuchi TB68-S Track Mount Dimensions and Specifications



#132 Takeuchi TB68-S Track Mount	
<b>Total Drill Depth</b>	10'
<b>Reach Ability</b>	7'
<b>Gross Vehicle Weight</b>	15,000 lbs
<b>Drill Torque</b>	6,000 ft/lbs

**Equipment #132 Notes:** Blade dimensions are 7' – 5" wide and 1' – 4" high.