



BUMA CE CO.,LTD.
BUMA Construction Equipment

CASING OSCILLATOR

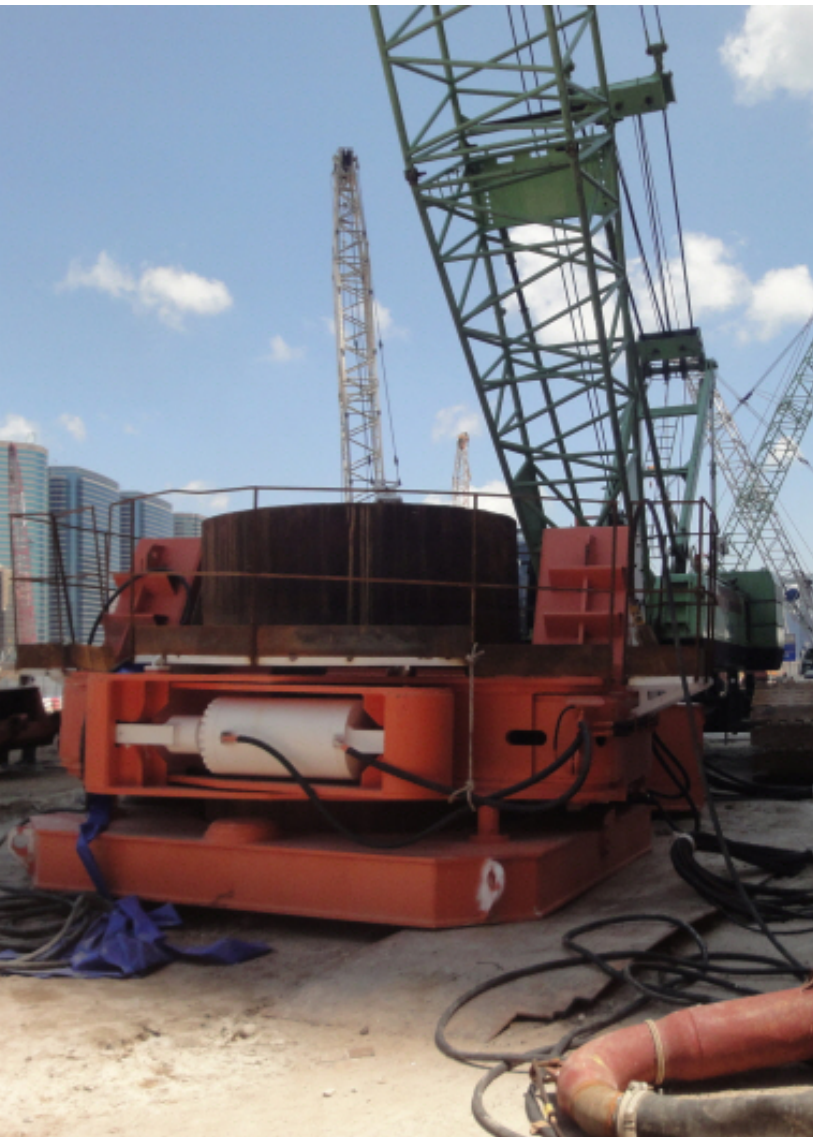
Casing Oscillator Model: BM – C1500T

Power Pack Model: BM – P2812V

BUILT ON TRUST



Cased Drilled Shafts are required when ground conditions are so unstable that drilled holes can not safely be stabilized with drilling slurry or where lose of ground must be controlled. Casing can be temporary or permanent steel pipe which provides a 100% stable excavation for the full length of the drilled shaft.



The Casing Oscillator method provides a superior method for drilled shaft construction with high quality ensuring an uninterrupted construction schedule through the elimination of anomalies.

This technology is the only proven method to drill large diameter shafts in caving conditions, such as loose sands and gravelly soil with cobbles and boulders. Boulders several feet in diameter can be removed safely by the use of Hammer Grab without major interruption to the excavation process. Since only water is used for drilling, environmental concerns are minimized or totally eliminated using this technique.

C1500T

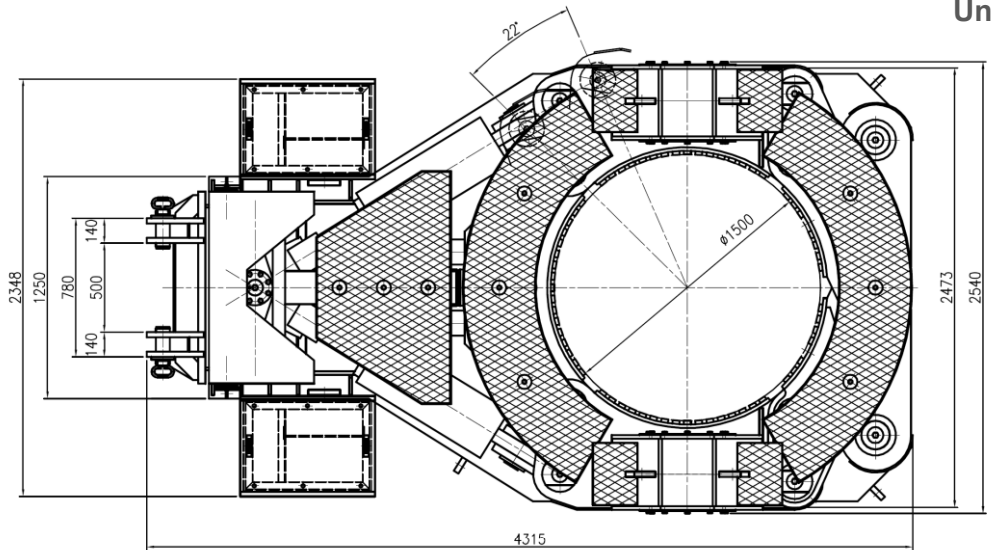


	Max. Casing Out Diameter	1,500mm
Oscillating	Max. Torque Rotation Angle	228ton.m 22°
Lifting	Max. Lifting Force Lifting Stroke	201ton 450mm
	Max. Clamping Force	157ton
	Max. Retaining Force	61ton
	Weight	12.5ton (Approx.)

Unit: mm

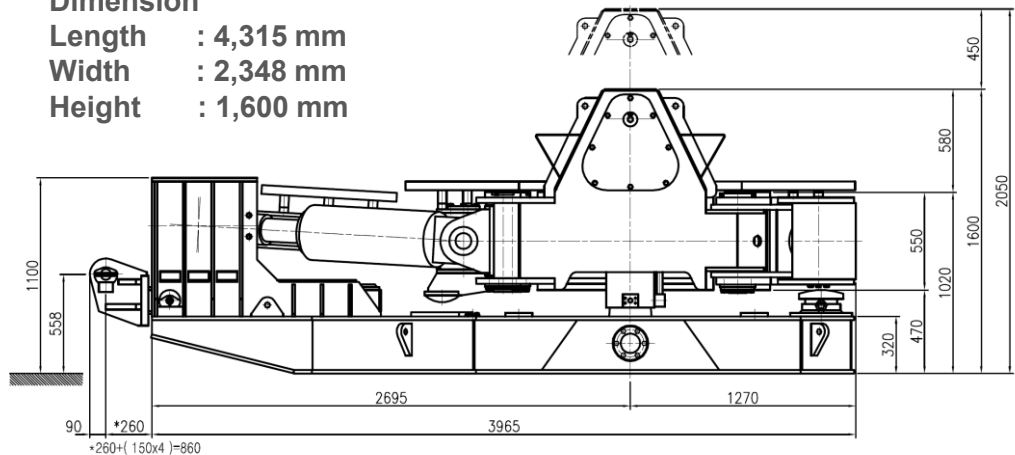
CONTROL

- Electric remote control panel with stand and connecting cable 15m long.
- Hydraulic manual control lever located on the control box.



Dimension

Length : 4,315 mm
 Width : 2,348 mm
 Height : 1,600 mm



The specifications of this machine are subject to change for improvements.

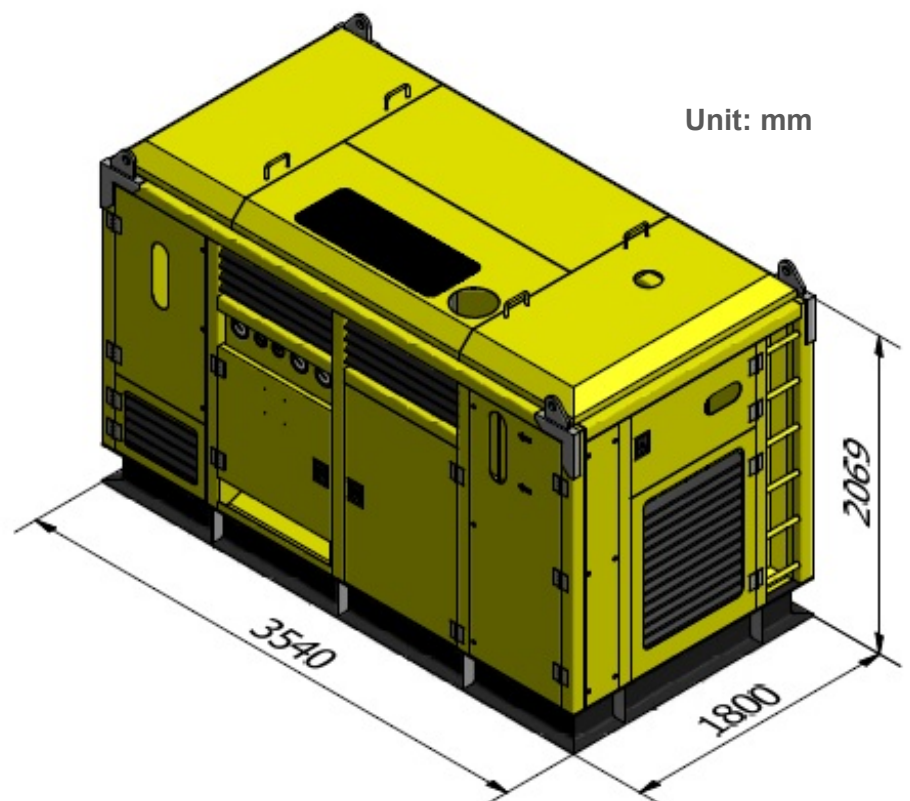
P2812V

Power Pack

Engine	VOLVO TAD763VE (TIER 4i) or Equivalent Output 210kW / 286HP / 2200rpm
Hyd. Pump	Max. Flow 228ℓ/min x 2 Operating Pressure 250bar (Max. 350bar)
Capacity of Hyd. Oil / Fuel Fuel Consumption	1200ℓ / 480ℓ 233g/kW.h
Weight	6.5ton (Approx.)



**VOLVO
TAD763VE**



The specifications of this machine are subject to change for improvements.

BUILT ON TRUST

www.bumace.com



BUMA CE CO.,LTD.

BUMA Construction Equipment

**291 1637 Beon-Gil, Seobu-Ro, Juchon-Myon, Gimhae-City,
Gyeongsangnam-Do, Korea (ZIP 621-843)**

TEL: +82 55 337 9891 ~ 3

FAX: +82 55 337 9894

Email: bumace@bumace.com