

1255

TELEHANDLER



Performance

Rated Capacity	5,443 kg	12,000 lb
Maximum Lift Height	16.76 m	55 ft
Load at Max Height	2,268 kg	5,000 lb
Maximum Forward Reach	12.8 m	42 ft
Load at Max Reach	1,588 kg	3,500 lb
Frame Leveling	10°	
Lift Speed (boom retracted)		
Up	16 sec	
Down	13 sec	
Boom Speed		
Extended	18 sec	
Retracted	15 sec	
Top Travel Speed (4-Speed)	32 kph	20 mph
Drawbar Pull (loaded)	113 kN	25,400 lb
Outside Turning Radius	4.3 m	14 ft
Operating Weight	15,404 kg	33,960 lb

Standard Specifications

Engine

Make and Model	Cummins QSF3.8L	
No. of Cylinders	4	
Displacement	3.8 L	231.9 cu in.
Gross Power Basic	97 kW	130 hp
Maximum Torque @ 1500 rpm	488 Nm	360 lb-ft
Fuel Tank Capacity	145 L	38.3 gal

Transmission

Powershift 4-speed forward and 3-speed reverse.

Axles

Trunnion mounted planetary 45° steer axles. Integral steer cylinder. High bias limited slip differential on front axle.

Brakes

Service brakes are inboard wet disc brake on front and rear axles. Parking brakes are wet disc spring-applied hydraulic release on front axle.

Tires

Standard	400/75-28
Optional	Foam-Filled or Solid

Cab

- Certified ROPS/FOPS structure
- Horn
- Tilt & declutch on joystick
- Adjustable seat
- Single joystick controls
- Anti-theft

Steering 4-Wheel

Hydraulic power steering with manual backup. Operator selectable 4-wheel circle, 4-wheel crab, 2-wheel front.

Instruments

- Volt meter
- Engine oil pressure gauge
- Fuel gauge
- Hourmeter
- Temperature gauge

Hydraulic System-Implement

Capacity	189 L	49.9 gal
----------	-------	----------

Load sense piston pump. Auxiliary hydraulics used for all attachments equipped with cylinders or other hydraulic components.

Accessories & Options

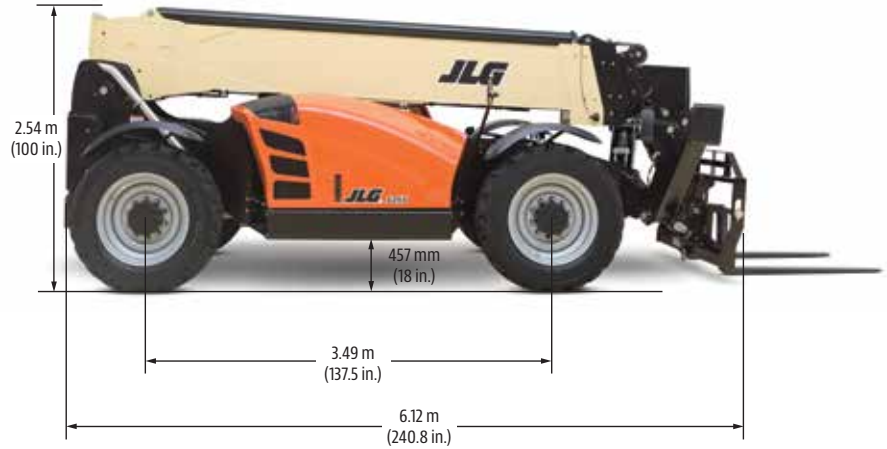
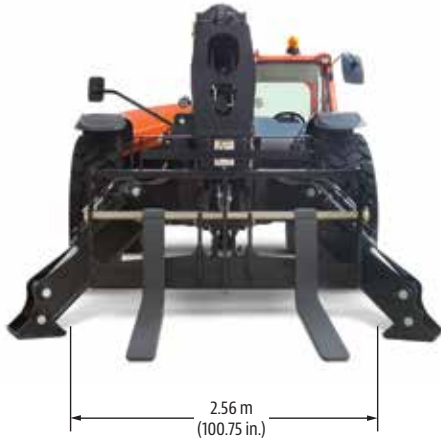
- Enclosed Cab
- Auxiliary Electrics
- Road Lights
- Air Conditioning
- Work Lights
- Rotating Beacon
- Hydraulic Coupler
- Fenders
- Brick Guards
- Arctic Package
- Multi-Function Display with Reversing Camera
- Ride Control
- Reverse Sensing System
- Boom Brushes
- Secondary Steering
- Wiper Package

Attachments

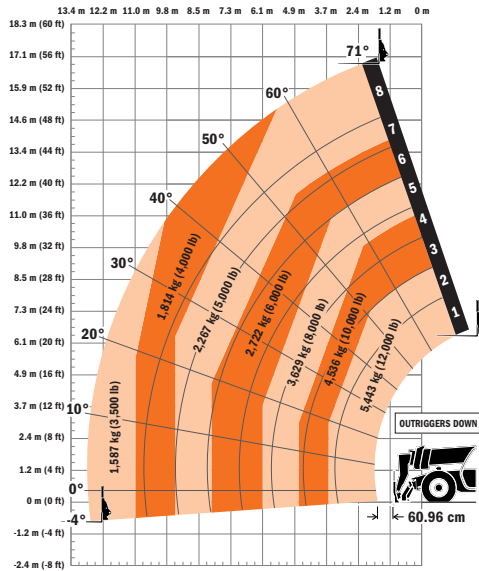
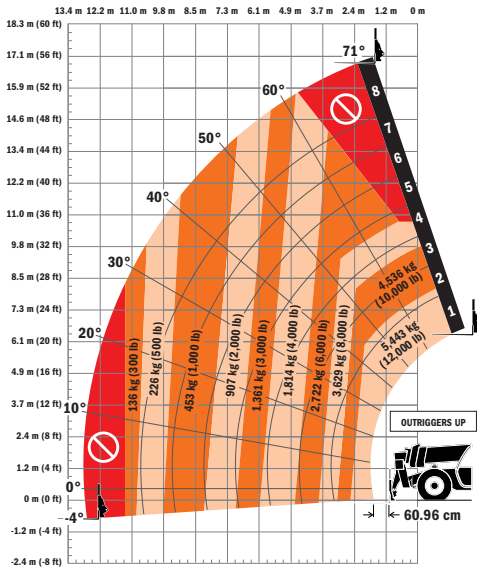
Standard Carriage	1.3 m 1.5 m 1.8 m	50 in. 60 in. 72 in.
Side-Tilt Carriage	1.3 m 1.5 m 1.8 m	50 in. 60 in. 72 in.
Swing 90° or 180° Carriage	1.8 m	72 in.
Dual Fork Positioning Carriage	1.3 m	50 in.
Side-Shift Carriage	1.3 m	50 in.
Tower	2.4 m	8 ft
Tower with Side Tilt	2.4 m	8 ft
Pallet Forks	60 mm x 127 mm x 1.2 m 51 mm x 152 mm x 1.8 m	2.36 in. x 5 in. x 48 in. 2.00 in. x 6 in. x 72 in.
Lumber Forks	51 mm x 178 mm x 1.5 m 60 mm x 152 mm x 1.5 m	2.00 in. x 7 in. x 60 in. 2.36 in. x 6 in. x 60 in.
Cubing Forks	51 mm x 51 mm x 1.2 m	2 in. x 2 in. x 48 in.
Fork Extensions	2.3 m	90 in.
Material Bucket	1.8 m, 0.76 m ³ 2.4 m, 1.15 m ³ 2.6 m, 1.53 m ³	72 in., 1.0 cu yd 96 in., 1.5 cu yd 102 in., 2.0 cu yd
Grapple Bucket	2.4 m, 1.34 m ³	96 in., 1.75 cu yd
Truss Boom	0.9 m, 1,814 kg Capacity	3 ft (winch), 4,000 lb Capacity
Truss Boom	3.7 m, 907 kg 4.6 m, 907 kg 3.7 m, 907 kg	12 ft, 2,000 lb 15 ft, 2,000 lb 12 ft with winch, 2,000 lb
Fork Mounted Work Platform	1.8 m, 2,722 kg Capacity	8 ft, 6,000 lb Capacity
Pipe Grapple	2.4 m, 2,722 kg Capacity	72 in., 6,000 lb Capacity
Bucket-Fork Mounted	1.5 m, 1.0 m ³	60 in., 1.3 cu yd
Material Handling Arm	1,814 kg Capacity	4,000 lb Capacity
Trash Hopper	1.8 m, 1.5 m ³	72 in., 1.9 cu yd
Lifting Hook-Fork Mounted		
Lifting Hook-Coupler Mounted		

Dimensions

All dimensions are approximate.



Load Chart



The JLG "1 & 5" Warranty

JLG Industries, Inc. backs its products with its exclusive "1 & 5" Warranty. We provide coverage on all products for one (1) full year, and cover all specified major structural components for five (5) years. Due to continuous product improvements, we reserve the right to make specification and/or equipment changes without prior notification. This machine meets or exceeds applicable OSHA Regulations in 29 CFR 1910.67, 29 CFR 1926.453, ANSI A92.5-2006, and CSA Standard CAN3-B354.2-M82, as originally manufactured for intended applications.

Part No.: 3132244LA
0915
Printed in USA



JLG Industries, Inc.
1 JLG Drive
McConnellsburg, PA 17233-9533
Telephone 717-485-5161
Toll-free in US 877-JLG-LIFT
Fax 717-485-6417
www.jlg.com

An Oshkosh Corporation Company